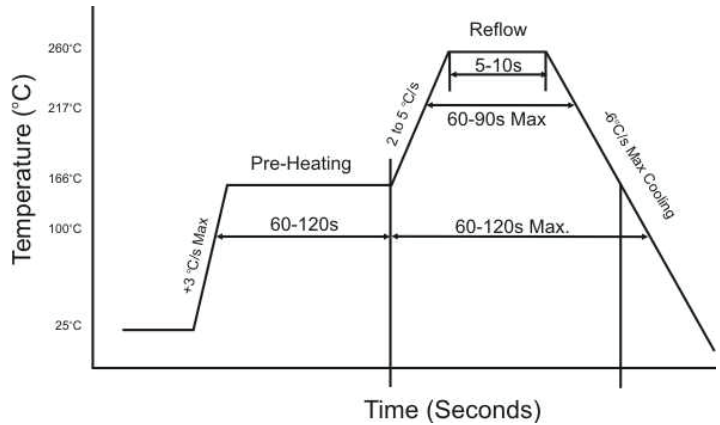
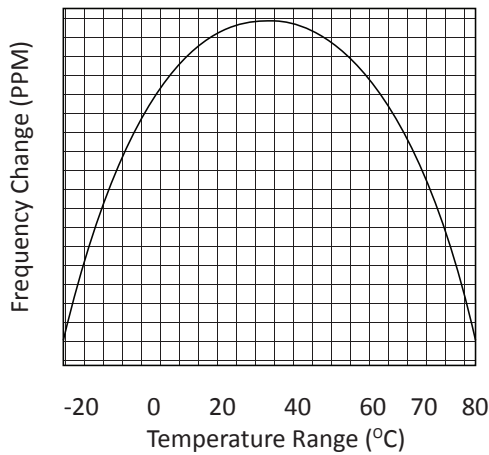


**Standard Specifications**

Parameter	Symbol	Specification	Remarks
Frequency Range	$f_0$	32.768 kHz	20kHz to 100kHz available
Frequency Tolerance	$\Delta f/f$	$\pm 20$ PPM	at 25°C with 100 $\mu$ W
Frequency Stability	Over OTR	-0.034 $\pm$ 0.006ppm/ $^{\circ}$ C <sup>2</sup>	
Operating Temperature Range	T <sub>OPR</sub>	-40°C to +85°C	
Storage Temperature Range	T <sub>STG</sub>	-55°C to +125°C	
Load Capacity	C <sub>L</sub>	12.5pF (Std value)	Please specify
Drive-Level	D <sub>L</sub>	1.0 $\mu$ W Typ.	1.0 $\mu$ W Max
ESR	R	65 k $\Omega$	Max.
Shunt Capacitance	C <sub>0</sub>	0.8pF	Typical
Ageing	Fa	$\pm 3.0$ PPM	Max. at 25°C $\pm 3^{\circ}$ C 1st Year

**X-Cut Temperature Characteristics**

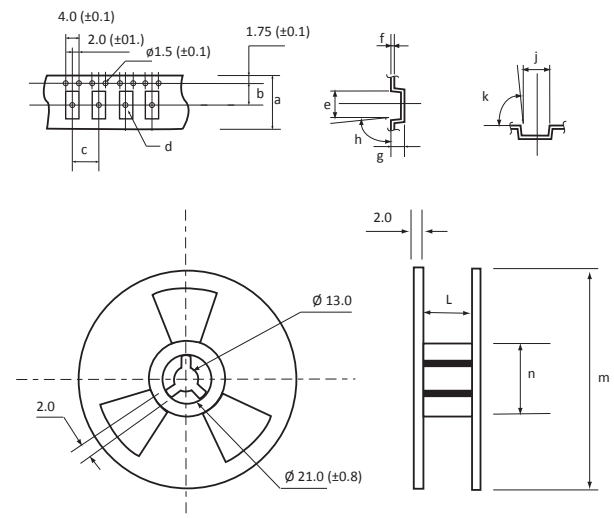
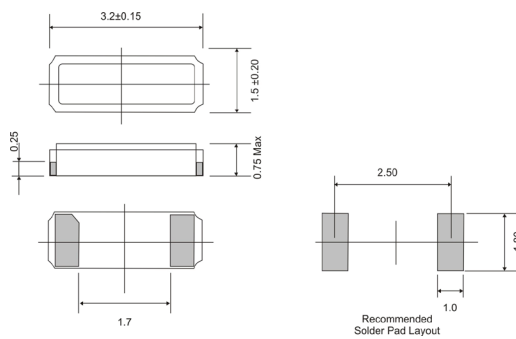
**Reflow Solder Condition (260°C Max.)**



High temperature solder exemption - In accordance with RoHS 2002/95/EC Annex 7

**Dimensions (mm)**

**3000pcs per Reel**



a	b	c	d	e	f	h	j	k	l	m	n
12	5.5	4.0	1.0	3.6	1.0	5°	1.9	5°	13.0	180	60