

NX2016SA

For Automotive

■ Features

A small and thin surface-mount type crystal unit for automotive.

- Ultra compact and thin. (2.0 × 1.6 × 0.45 mm)
- Stable start-up characteristics even under extremely severe environmental conditions.
- Excellent environmental characteristics, including heat, vibration and shock resistance.
- Lead-free. Meets the requirements for re-flow profiling using lead-free solder.
- Conforms to AEC-Q200.

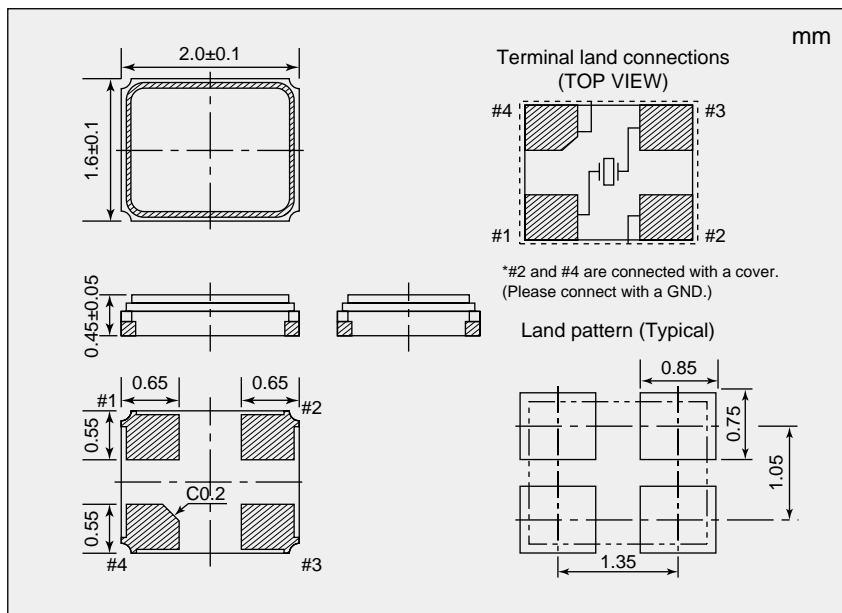


Pb Free

RoHS Compliant
Directive 2011/65/EU

■ Specifications

Item	Model	NX2016SA
Nominal Frequency		20 to 80 MHz
Overtone Order		Fundamental
Frequency Tolerance (25 ±3 °C)		±15 × 10 ⁻⁶
Frequency versus Temperature Characteristics (with reference to +25 °C)		±50 × 10 ⁻⁶
Operating Temperature Range		-40 to +125 °C
Storage Temperature Range		-40 to +125 °C
Equivalent Series Resistance		Refer to *1
Level of Drive		10 μW (Max. 200 μW)
Load Capacitance		8 pF
Specifications Number		STD-CZS-3



*1 Equivalent Series Resistance

Nominal frequency (MHz)	Equivalent Series Resistance max. [Ω]
20 to 24	100
24 to 26	80
26 to 40	60
40 to 80	50