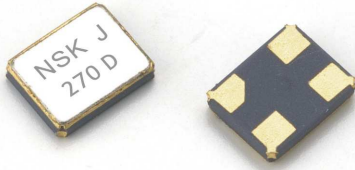


## SMD TYPE CERAMIC (SMD 2 x 2.5)



### Application of SMD crystal:

- Radio communication
- TCXO
- Office automation equipment
- GPS
- Audio-visual equipment



### { Features }

Seam welding  
Excellent solderability  
Automatic and perfect packing due to emboss taping  
Excellent vibration resistance & shock resistance  
Rohs compliant / Pb free

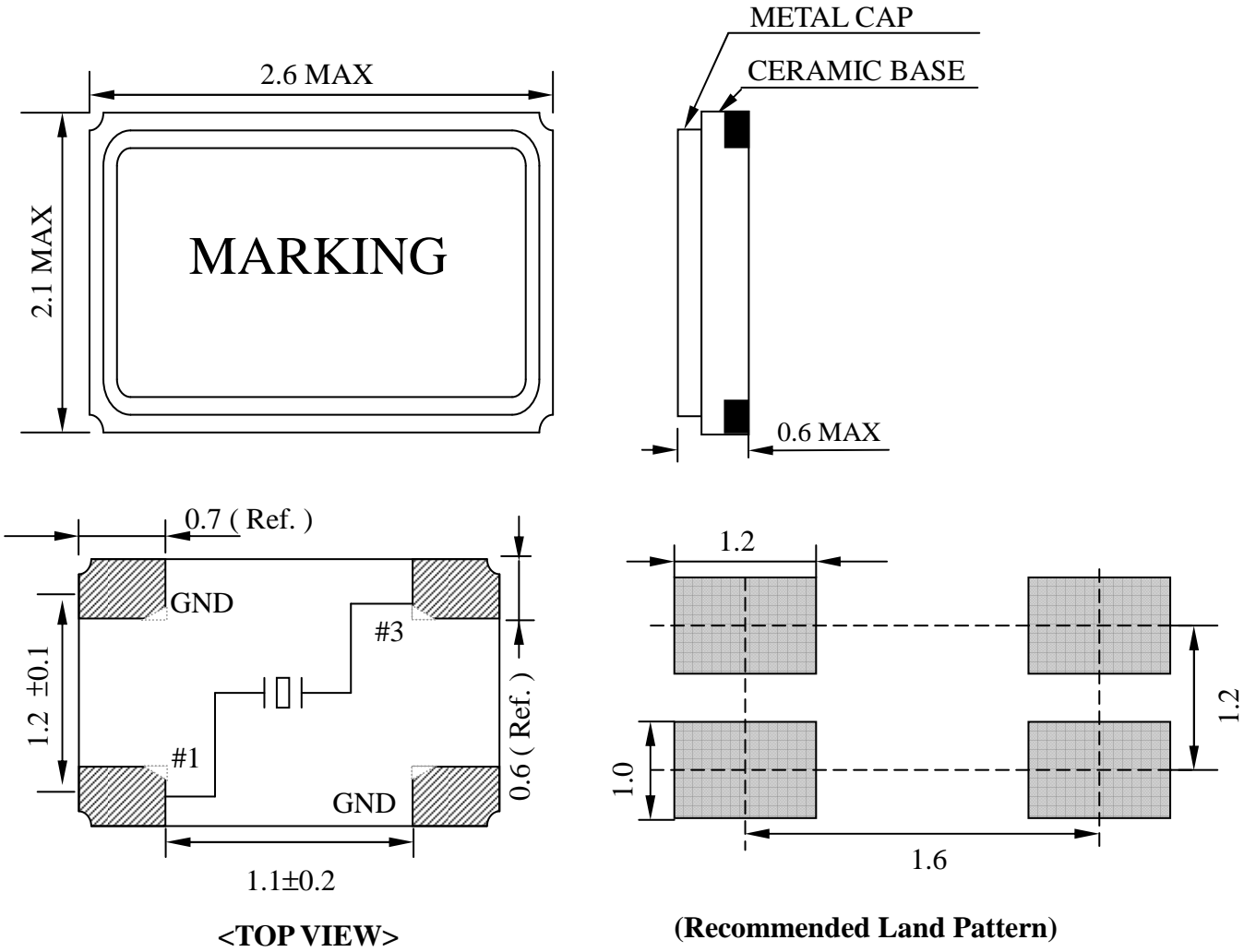
### Electrical Specification:

Model	NXL-22
<b>1.Frequency</b>	
Frequency Range	12.0 ~ 50.0 MHz
Frequency Tolerance at 25°C±2°C	±10 ~ ±50 ppm (TYP.)
Frequency Stability Over Operating Temp Range	±10 ~ ±50 ppm (TYP.)
<b>2.Environmental Condition</b>	
Operating Temp Range	-10°C~ +60°C,-20°C~ +70°C or customer requirement
Storage Temp Range	-40°C ~ +85°C
Aging Rate	±3ppm/year
<b>3.Electrical Specifications</b>	
Test Circuit	S&A 250B
Load Capacitance	6 pF ~ 32 pF, series or special
Drive Level	1uW ~ 100uW or special
Shunt Capacitance	7.0pF max

### Equivalent Series Resistance(ESR) VS Frequency:

Frequency (MHz)	Oscillation Mode	NXL-22
12.0 ~ 22.0	Fundamental	130Ω
22.1 ~ 50.0	Fundamental	110Ω

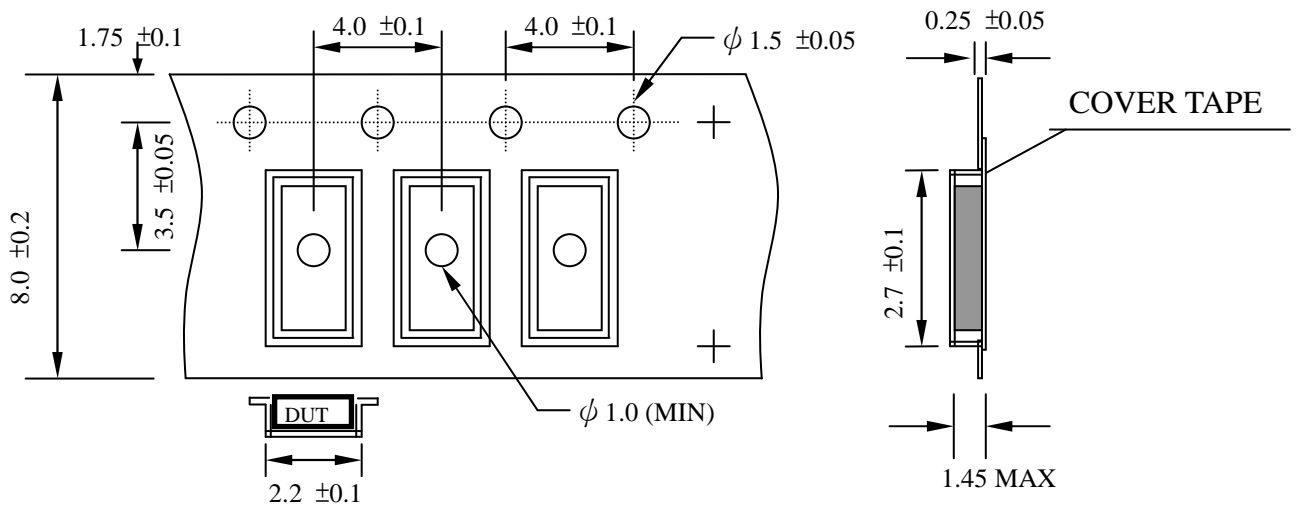
**Dimensions (mm):**



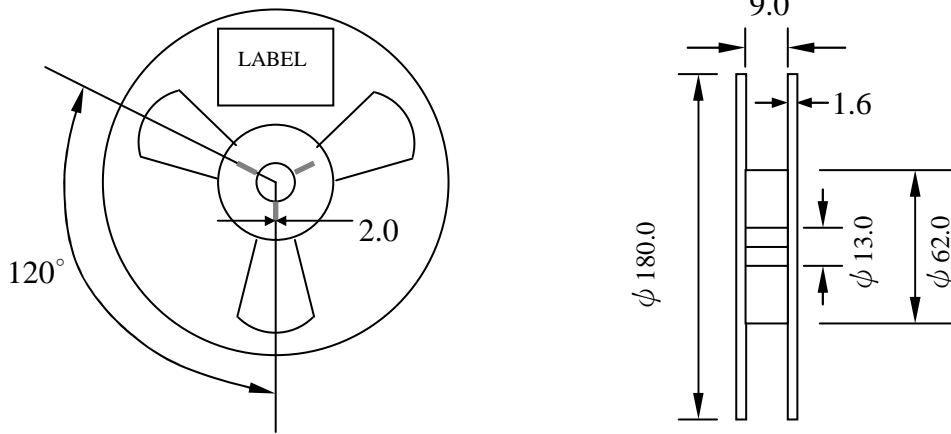
<TOP VIEW>

(Recommended Land Pattern)

**Tape specification (mm):**



### Reel packing (mm):



### Reflow Temperature profile:

