



Applications

- Cordless Telephones / Facsimile / Computer Clocks

Features

- Dimensions (5.0 × 3.2 × 1.1)
- Ceramic SMD Package
- Glass Sealed
- Tight Tolerance and Stability
- Reflow Soldering / Emboss Taping
- Compliant products with AEC-Q200

Specifications



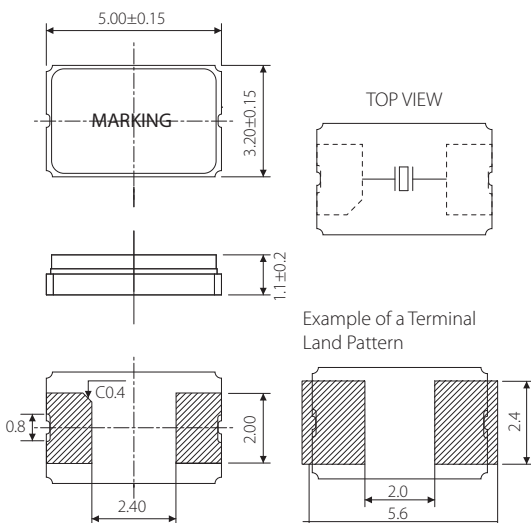
Model	GX-50322, GX-50324	
Nominal frequency range	8.000~54.000 MHz	45.000~60.000 MHz
Crystal cut	Fundamental [AT-cut]	3rd overtone [AT-cut]
Storage temperature range	-40~+90°C; -40~+125°C (For AEC-Q200)	
Operating temperature range	-10~+70°C, -40~+85°C	
Frequency temperature characteristics (Ref. to +25°C)	±30 × 10 ⁻⁶ (-10~+70°C), ±50 × 10 ⁻⁶ , ±100 × 10 ⁻⁶	
Frequency tolerance (at +25°C)	±30 × 10 ⁻⁶ , ±50 × 10 ⁻⁶	
Equivalent series resistance	300 Ω: 8.000~9.999 MHz 60 Ω: 10.000~15.999 MHz 50 Ω: 16.000~54.000 MHz	90 Ω: 45.000~60.000 MHz
Load capacitance	series, 10pF, 12pF, 16pF, 18pF, 20pF	
Shunt capacitance	5pF max.	
Level of drive	10 μW (100 μW max.)	

Package quantity: 1,000pcs max./Reel.
The product is suitable for Car multimedia, Car accessory application.

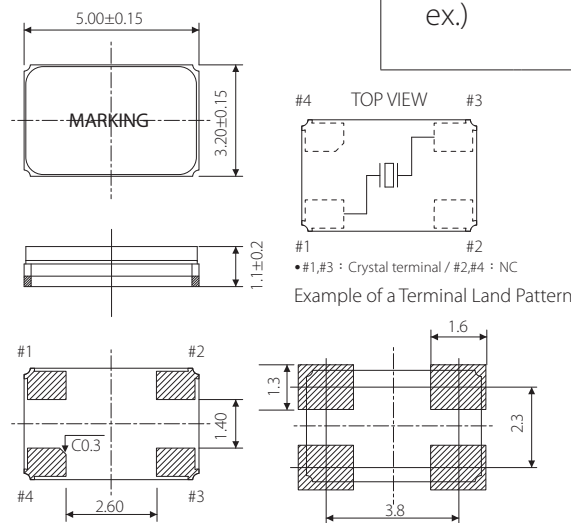
Outline and Dimensions [unit:mm]

Maximum marking length		Marking
line1	line2	
7	7	Laser
ex.)		16. 0GA SIWARD

GX-50322



GX-50324



#1 TOP VIEW #3
#1, #3 : Crystal terminal / #2, #4 : NC
Example of a Terminal Land Pattern